

Actual4Labs

Pass Your Next Certification Exam Fast!

Everything you need to prepare, learn & pass your certification exam easily.

Login / Register

Shopping Cart (0)

Search...



Online Test Engine

Instant Online Access, Test History and Performance Review, Supports Windows / Mac / Android / iOS, etc. →

Desktop Test Engine

Installable Software Application, Simulates Real Exam Environment, Supports MS Operating System, Practice Offline Anytime. →

PDF Format

Printable PDF Format, Prepared by IT Experts, Study Anywhere, Anytime, Free PDF Demo Available. →

Choose the version that fits your needs	PDF Version	Desktop Test Engine	Online Test Engine
Latest and Up-to-Date exam dumps with real exam questions answers.	✓	✓	✓
Get 12-Months free updates without any extra charges.	✓	✓	✓
Experience same exam environment before appearing in the certification exam.	✗	✓	✓
100% exam passing guarantee in the first attempt.	✓	✓	✓
20% discount on more than one license and 30% discount on 5+ license purchases.	✗	✓	✓
100% secure purchase on SSL.	✓	✓	✓
Completely private purchase without sharing your personal info with anyone.	✓	✓	✓

<http://www.actual4labs.com>

Excellent Quality Exam Dumps Questions Never Let You down -
Actual4Labs

Exam : **JN0-1102**

Title : Design, Associate (JNCDA)

Vendor : Juniper

Version : DEMO

NO.1 What are two guidelines when designing campus networks? (Choose two.)

- A. The design must allow for high bandwidth.
- B. The design must allow for network resource availability.
- C. The design must protect customer resources.
- D. The design must account for high control plane resources.

Answer: B,C

NO.2 Which type of platform would be used to correlate data and logs from many different network and security appliances?

- A. Juniper Secure Analytics
- B. MX Series routers
- C. QFabric
- D. Pulse Secure

Answer: A

NO.3 Which design boundary is caused by the customer's existing physical environment?

- A. Current infrastructure lacks the media to interconnect buildings with each other.
- B. Key stakeholders disagree on how the funding for the project should be spent.
- C. HTTP traffic is expected to increase on the network by 57% over the next two years.
- D. Marketing users are not permitted access to the company's financial servers.

Answer: A

NO.4 Which three elements would affect user data flows in a customer's existing network? (Choose three.)

- A. existing applications
- B. log collection
- C. budget
- D. traffic behavior
- E. QoS policies

Answer: A,D,E

NO.5 Your customer frequently hosts visitors who are not employees of the organization. The visitors typically request Internet access but do not require access to corporate resources. Network security is the customer's primary concern.

Which solution should you include in your design proposal?

- A. BYOD
- B. QoS
- C. SSL
- D. NAC

Answer: D

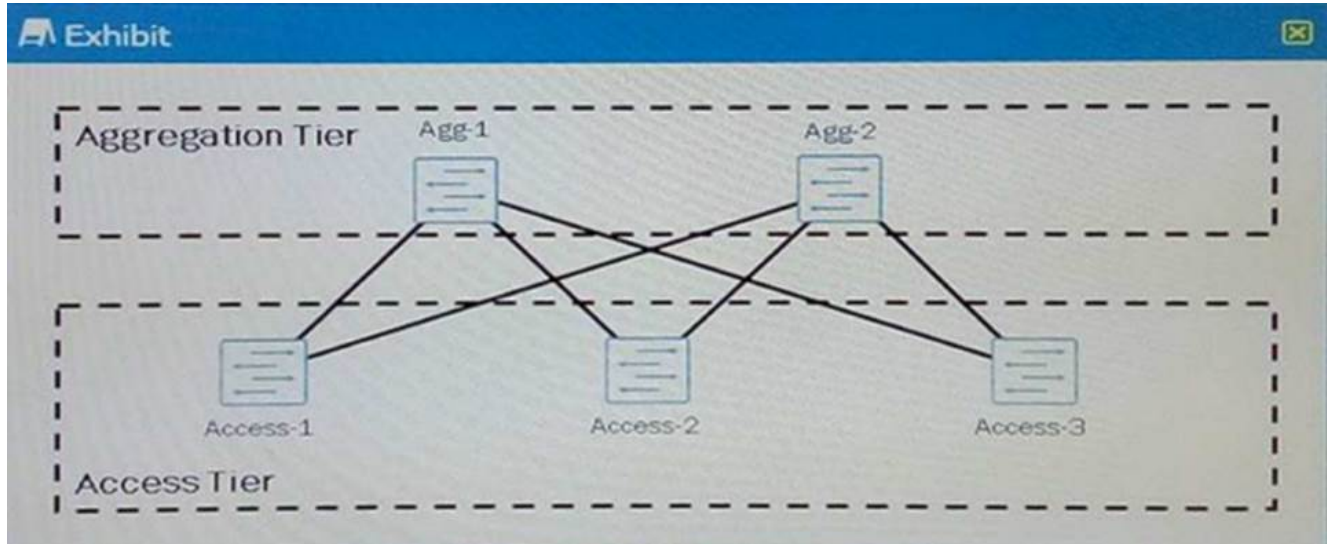
NO.6 What are two benefits of the virtual chassis fabric (VCF) technology? (Choose two.)

- A. Multiple devices are inter-connected into a single logical device.

- B. It supports up to 10 Gbps interfaces.
- C. It supports up to 40 Gbps interfaces.
- D. One device is broken up into multiple logical devices.

Answer: A,B

NO.7 Click the Exhibit button.



Referring to the exhibit, you are designing a Layer 2 data center and you want to make sure that all the links between the access tier and the aggregation tier are used.

What should you do to accomplish this task?

- A. Use BGP load balancing on all devices.
- B. Use RSTP on all devices.
- C. Use VRRP on Agg-1 and Agg-2.
- D. Place Agg-1 and Agg-2 in a Virtual Chassis.

Answer: D

NO.8 What are the first two steps of business continuity planning? (Choose two.)

- A. assess the risks
- B. know your network
- C. formulate the plan
- D. test the plan

Answer: A,B

NO.9 You are designing a solution to allow secure communication over the public Internet for a corporate WAN deployment. For business policy reasons, all branch-to-branch traffic must first pass through the corporate headquarters.

Which solution will work in this scenario?

- A. hub-and-spoke IPsec VPN
- B. full mesh IPsec VPN
- C. Layer 3 VPN
- D. hub-and-spoke GRE VPN

Answer: A

NO.10 A service provider has requested that you develop a design for a new network deployment focused on a call center customer.

What are two success criteria from the stakeholder's point of view with respect to this network deployment? (Choose two.)

- A. end user demand for low latency voice connections
- B. multicast stream replication must follow MSDP path
- C. easy deployment of the solution by the service provider
- D. requirement for secure data transmissions

Answer: A,D

NO.11 A company requires a managed WAN solution that supports Layer 2 adjacency across remote offices for applications and services.

What solution should be selected?

- A. DMVPN
- B. FR
- C. VPLS
- D. MPLS

Answer: C

NO.12 You are planning to add equipment into a data center environment.

What are three physical environmental considerations? (Choose three.)

- A. VLAN assignments
- B. IP addressing
- C. hot/cold aisle deployment
- D. rack door positioning
- E. floor loading

Answer: C,D,E

NO.13 Your customer's new data center contains network devices from multiple vendors. You have been asked to propose two technologies that will work among all the vendors' networking equipment.

Which two technologies can you recommend for the design? (Choose two.)

- A. VXLAN
- B. CDP
- C. EIGRP
- D. MACsec

Answer: A,D

NO.14 You have designed a network in which all network devices have redundant power supplies.

However, the redundant power supplies are plugged into a single power source.

Which two statements are true? (Choose two.)

- A. There is no problem and the power redundancy requirements are met.
- B. Redundant power supplies should always be plugged into the same power source.

- C. The redundant power supplies should be plugged into separate power sources.
- D. The power redundancy requirements are not met as the single source of power could fail and the network devices will not stay powered on.

Answer: C,D

NO.15 In a network design using the traditional tiered structure, which two tiers connect to untrusted domains? (Choose two.)

- A. WAN edge
- B. core
- C. access
- D. aggregation

Answer: A,C

NO.16 Which two elements of customer data would you use to determine the applications that your customer uses most often? (Choose two.)

- A. business goals
- B. questionnaires
- C. interviews
- D. corporate policies

Answer: B,C

NO.17 What should be the first item in your network design checklist?

- A. A process for selecting protocols, address schemes, and naming conventions.
- B. The steps for designing a network topology.
- C. A process for understanding the customer's business and technical goals.
- D. A validation process for analyzing customer's existing environment.

Answer: C

NO.18 The environmental requirements RFP element contains which two items? (Choose two.)

- A. An explanation of why a new design is required.
- B. A summary the type of business the customer is in.
- C. The number of users and workstation requirements.
- D. A detailed report that describes the facility specifications.

Answer: C,D

NO.19 Which application would be used to manage Juniper EX Series switches?

- A. Network Director
- B. Security Director
- C. Services Activation Director
- D. Log Manager

Answer: A

NO.20 You want to use standard cabling instead of crossover cabling in an environment without

MDIX.

In which two situations would this apply? (Choose two.)

- A. computer-to-computer
- B. computer-to-switch
- C. switch-to-switch
- D. server-to-switch

Answer: B,D

NO.21 You must design a campus that involves Ethernet switches that will be using Cat 6 copper cables.

What is the maximum distance between the Ethernet switches?

- A. 1000 feet
- B. 100 feet
- C. 1000 meters
- D. 100 meters

Answer: D

NO.22 Your campus network is rolling out a BYOD policy. Your design must ensure that guest users are restricted from accessing internal network resources.

Which two actions would solve this problem? (Choose two.)

- A. Guest users should be placed in a non-isolated guest routing instance.
- B. Guest users should be placed in a non-isolated guest VLAN.
- C. Guest users should be placed in an isolated guest VLAN.
- D. Guest users should be placed in an isolated guest routing instance.

Answer: C,D

NO.23 Your corporate campus consists of a single large building with several thousand users.

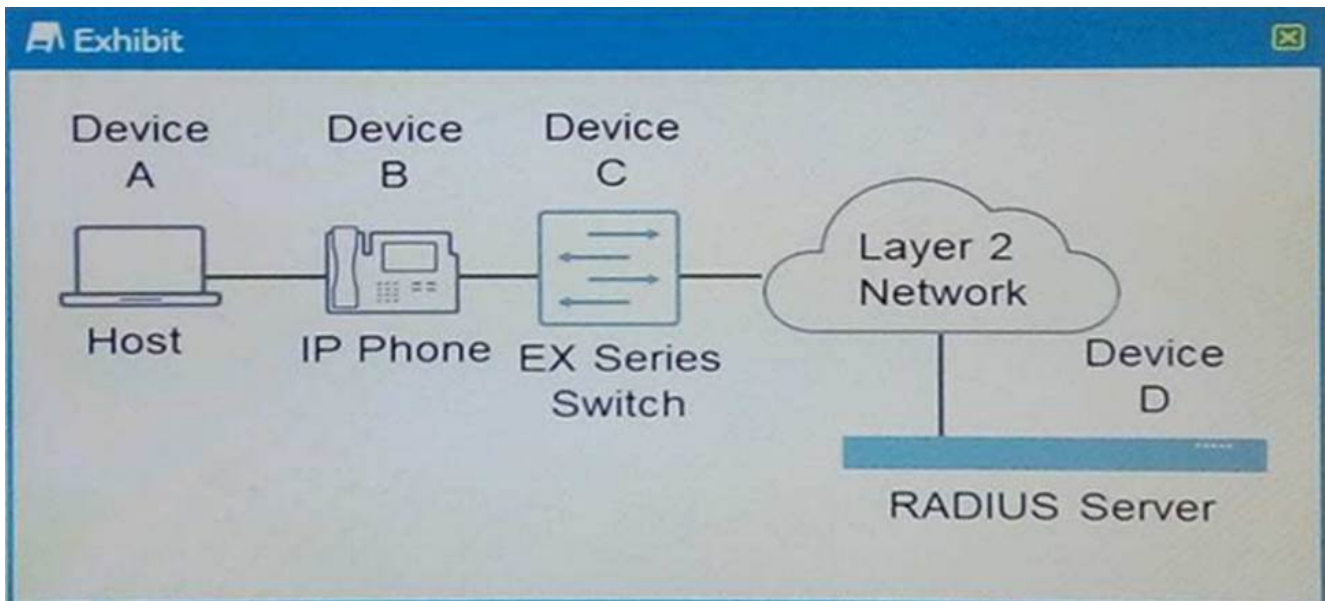
Employees are located randomly throughout the building. Accounting employees are mixed in with engineers and sales. You want to separate users into functional groups.

Which technology should be used to accomplish this task?

- A. MPLS
- B. IPsec
- C. OSPF
- D. VLAN

Answer: D

NO.24 Which device plays the role of authenticator in an 802.1X design as shown in the exhibit?



- A. Device C
- B. Device A
- C. Device D
- D. Device B

Answer: A

NO.25 Why would you recommend Junos Space Security Director in a network design?

- A. It provides the power to quickly design, provision, and deliver MPLS and other Ethernet services.
- B. It simplifies Ethernet switch deployments and provides rapid operation of campus and data center networks.
- C. It helps administrators to more quickly and intuitively manage all phases of a security policy life cycle
- D. It provides detection, isolation, and resolution of network faults and incidents.

Answer: C